

FPC-7703/7702/7701

Robust Box PC with 3rd Generation Intel® Core™ i7/i5/i3/Celeron® Processor Platform



Features

- Fanless Design
- Wide Range DC Power Input (9 ~36V)
- iAMT supported
- Various Video Interfaces (DVI-I + DVI-D) supported
- Optional Wi-Fi or HSUPA Wireless Connectivity supported
- Rugged Design for Shock/Vibration Protection
- Memory support up to 16GB (DDR3)
- RAID 0,1 supported
- Intel® SSD compatible

System

| | |
|----------------|---|
| CPU | 3 rd Generation Intel® Core™ i7/i5/i3 or Celeron® processors in rPGA988 socket |
| Memory | 2 x 204-pin DDR3 SO-DIMM sockets, supporting 1333/1600MHz SDRAM up to 16GB |
| Chipset | Intel® QM77 |
| Graphics | Integrated Intel® HD 4000 |
| ATA | 2 x Serial ATA ports with 600MB/s HDD transfer rate 2 x eSATA |
| LAN Chipset | 2 x Intel® WG82583V GbE controllers 1 x Intel® WG82579LM GbE PHY w/ iAMT |
| Watchdog Timer | 1~255 levels reset |

I/O

| | |
|-----------------|--|
| Serial Port | 4 x RS-232 ports via one DB-44 female connector. (COM3 and COM4 are RS-232 /422/485 configurable, w/ isolated protection.) |
| USB Port | 6 x USB 2.0 ports, 4 x USB 3.0/ 2.0 ports 2 x internal USB dongle for software license key (optional) |
| LAN | 3 x RJ-45 ports for GbE |
| Video Port | 1 x DVI-I female connector for Digital/ analog video output 1 x DVI-D female connector for digital video output |
| Selectable Port | 1 x DB25 connector for 1 x digital I/O, 8-in/8-out or 1 x LPT port (either one) DIO by default, can be changed to LPT |
| Audio | Mic-in/Line-out |
| Expansion Bus | 1 x Mini-card socket interconnected with SIM card socket for optional Wi-Fi or HSUPA module 1 x SIM socket/1 x CFAST socket (outside accessible) 1 x PCIe x16 slot + 1 x PCI slot (FPC-7701) 1 x PCIe x16 slot + 1 x PCIe x8 slot (via x4 lanes) (FPC-7702) 2 x PCI (FPC-7703) |

Environmental

| | |
|--------------------|--|
| Operating Temp. | -20 ~ 55°C (-4 ~ 131°F), ambient w/ air flow |
| Storage Temp. | -40 ~ 85°C (-40 ~ 185°F) |
| Operating Humidity | 10 ~ 95% @ 55°C (non-condensing) |
| Vibration | 3 Grms/5~500Hz/random operation w/ SSD |
| Shock | Operating 40G (11ms), Non-operating 60G with SSD |

Qualification

| | |
|---------------|-----------------|
| Certification | CE, FCC Class A |
|---------------|-----------------|

Power Requirement

| | |
|-------------------|--|
| Power Input | DC 9~36V input w/ 4-pin terminal block |
| Power Consumption | Max. 75W (w/o I/O card) |

Storage

| | |
|------|--|
| Type | 2 x 2.5" drive bays 1 x CFAST socket, can be outside accessible |
|------|--|

Mechanical

| | |
|------------------------|--------------------|
| Construction | Aluminum alloy |
| Mounting | Wall-mount |
| Weight | 7 kg (15.43 lb) |
| Dimensions (W x H x D) | 225 x 120 x 267 mm |

OS Support

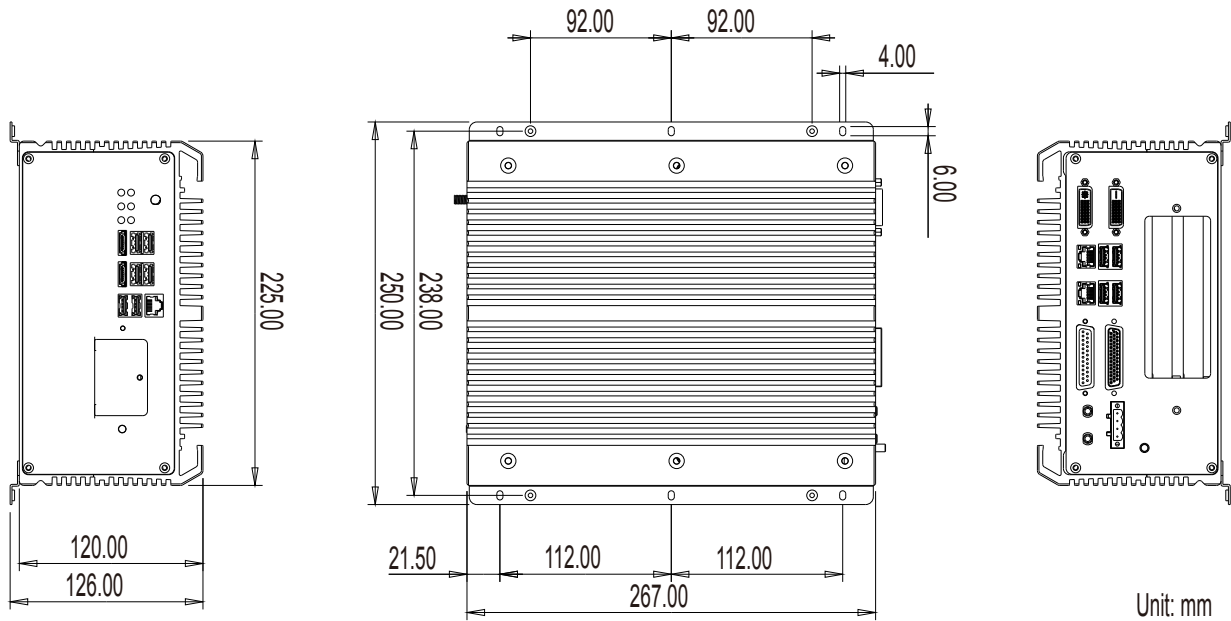
XP Pro / W7 Pro / WS7E /WE8 STD

Ordering Information




| | |
|----------|--|
| FPC-7703 | Fanless system w/ 2 x PCI |
| FPC-7702 | Fanless system w/ 1 x PCIe x8 + 1 x PCIe x16 |
| FPC-7701 | Fanless system w/ 1 x PCI + 1 x PCIe x16 |



Dimensions



Optional Accessories

| | | |
|---------------|------------------------------------|---|
| PAC-B120W-FSP | 19V/6.32A 120W AC/DC adapter kit |  |
| CBL-7100-COM | 4 x COM ports converter cable |  |
| WMK-7000 | Wall-mount kit for FPC-7XXX Series |  |

Optional Configuration (CTOS* Kit)

| | | |
|-----------------|--|---|
| 80GB SSD | Intel® 2.5" 80GB SATAIII SSD kit |  |
| MK-3C-4G-1 | DDR3-1600 4GB SDRAM DIMM1 kit | |
| MK-3C-4G-2 | DDR3-1600 4GB SDRAM DIMM2 kit | |
| MK-3C-8G-1 | DDR3-1600 8GB SDRAM DIMM1 kit |  |
| MK-3C-8G-2 | DDR3-1600 8GB SDRAM DIMM2 kit | |
| HSPA-SI1400 | HSUPA 3.75G module kit & internal wiring |  |
| WiFi-AT2300 | Atheros AR9462 Wi-Fi Module w/ 20cm internal wiring |  |
| ANT-H11 | 1 x 2dBi HSUPA antenna | |
| ANT-D11 | 1 x Wi-Fi dual-band 2.4G/5G antenna |  |
| Core™ i3-3120ME | 3 rd Generation Intel® Core™ i3-3120ME, L2/3M, 2.4G | |
| Core™ i5-3610ME | 3 rd Generation Intel® Core™ i5-3610ME, L2/3M, 2.7G |  |
| Core™ i7-3610QE | 3 rd Generation Intel® Core™ i7-3610QE, L2/6M, 2.3G | |
| UDK-7702 | Internal USB dongle kit for FPC-7701/7702/7703 |  |

*CTOS means Configure-to-Order Service.