



Specifications

| | |
|--------------------|--|
| Electrical Ratings | Evaluated to UL 61058-1 1/2hp @ 125VAC/250VAC; T120 10.1A @ 277VAC resistive; T120 10.1A @ 125VAC inductive; T120 |
| | Evaluated to UL 1054 16A @ 125VAC/250VAC resistive; T120 6A @ 125VAC/250VAC general purpose; T120 5A @ 126VAC inductive; T120 |

| | |
|-----------------------|---|
| Electrical Life | 100,000 cycles, typical |
| Mechanical Life | 10,000,000 cycles, typical |
| Contact Resistance | < 20m Ω initial |
| Actuation Forces | 80gF, 110gF or 180gF Latching - 400gF only |
| Dielectric Strength | 1000Vrms min. @ sea level |
| Insulation Resistance | ≥ 100MΩ min |
| Operating Temperature | -40°C to +120°C |
| Storage Temperature | -40°C to +120°C |

Materials

| | |
|-------------------|---|
| Base / Cover | Polybutylene Terephthalate (PBT), UL94-V0 |
| Pin Plunger | Polybutylene Terephthalate (PBT), UL94-V0 |
| Contacts | Silver Alloy |
| Terminals | Copper Alloy, Silver Plated |
| Latching Actuator | POM |
| Latching Base | POM |

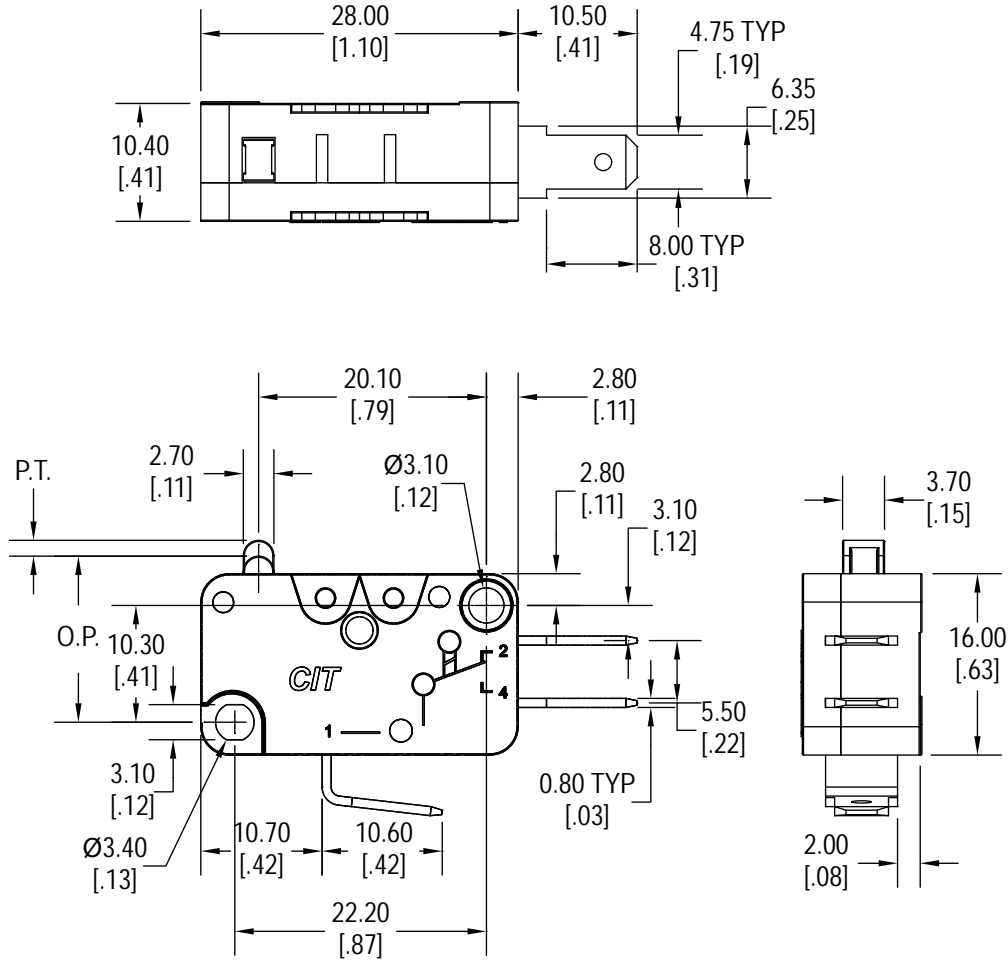
Ordering Information

| | | | | | | |
|--|-----|---|---|------|---|-----|
| 1. Series | VM3 | C | Q | F080 | 1 | L00 |
| VM3 (momentary) VM3L (latching) | | | | | | |
| 2. Circuit | | | | | | |
| A = SPST NO B = SPST NC C = SPDT | | | | | | |
| 3. Electrical Rating | | | | | | |
| Q = Silver | | | | | | |
| 4. Operating Force without lever **Contact factory for other force options | | | | | | |
| F080 = 80gF F110 = 110gF F180 = 180gF F400 = 400gF - Latching Option Only | | | | | | |
| 5. Termination | | | | | | |
| 1 = 0.250" Quick Connect 2 = 0.187" Quick Connect | | | | | | |
| 6. Actuator (Lever) *VM3L only available with L00 Actuator only | | | | | | |
| L00 = Pin plunger L01 = Roller lever, standard L02 = Simulated roller L03 = Hinge lever, standard L04 = Hinge lever, short L06 = Roller lever, short L07 = Hinge lever, long | | | | | | |

VM3

Snap Action

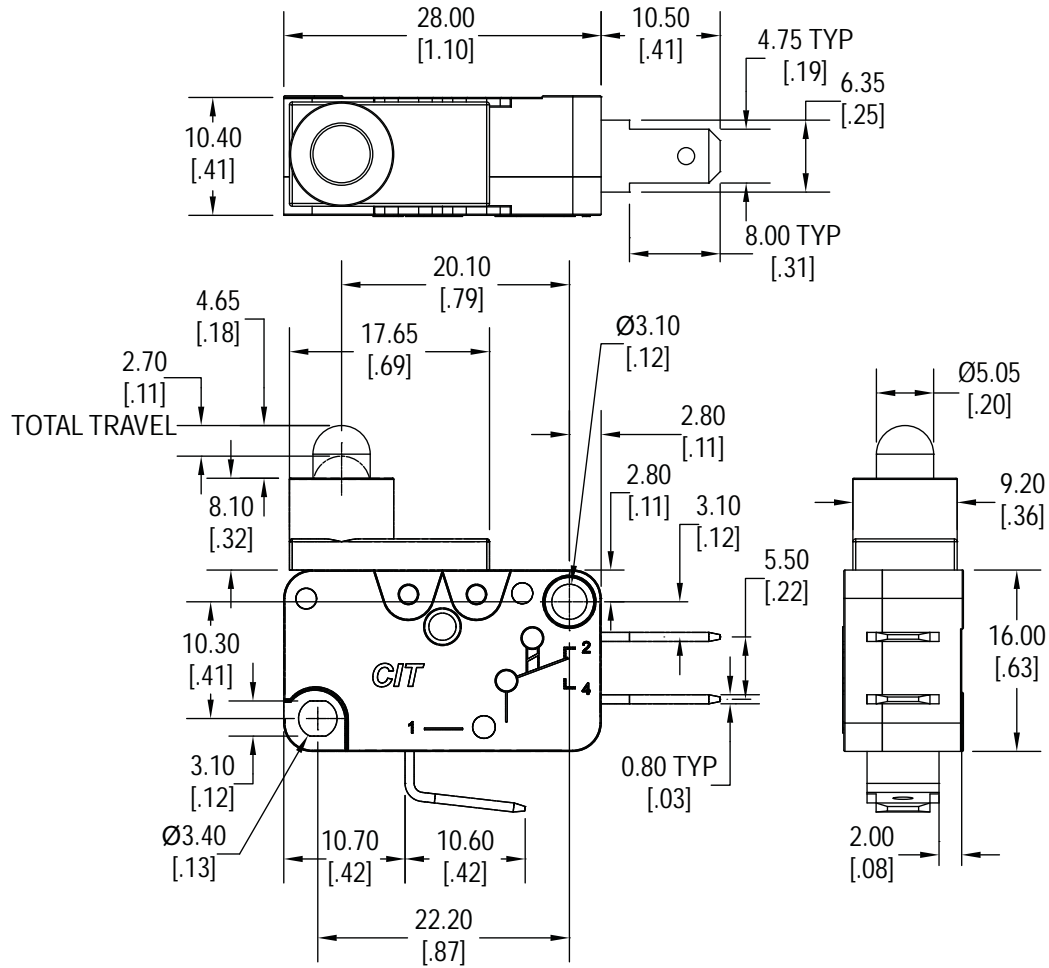
Dimensions - Standard



Switch Characteristics

| Actuators (Levers) | Operating Force - OF (grams) | | | Release Force - RF (grams) | | | Free Position (FP) all forces (mm) | Pre-Travel (PT) all forces max (mm) | Operating Position (OP) all forces (mm) | Over Travel (OT) | Movement Differential (MD) all forces max (mm) |
|--------------------|------------------------------|--------|--------|----------------------------|-------|-------|------------------------------------|-------------------------------------|---|------------------|--|
| | 80gF | 110gF | 180gF | 80gF | 110gF | 180gF | | | | | |
| L00 | 80±20 | 110±30 | 180±30 | 40±15 | 90±20 | 90±20 | 15.7 | 1.4 | 14.3 | 1.1 | 0.4 |
| L01 | 40±15 | 55±20 | 80±20 | 20±10 | 60±20 | 60±20 | 22.3 | 3.7 | 18.6 | 2.5 | 0.7 |
| L02 | 40±15 | 60±20 | 80±20 | 20±10 | 60±20 | 40±20 | 20.8 | 3.1 | 17.7 | 2.3 | 0.7 |
| L03 | 35±10 | 50±20 | 70±20 | 18±8 | 50±20 | 50±20 | 17.3 | 3.3 | 14.0 | 2.3 | 0.6 |
| L04 | 65±15 | 95±20 | 145±30 | 35±15 | 45±20 | 60±20 | 16.4 | 2.2 | 14.2 | 1.2 | 0.5 |
| L06 | 80±20 | 100±20 | 180±30 | 40±15 | 70±20 | 80±20 | 21.8 | 1.9 | 19.9 | 1.2 | 0.4 |
| L07 | 18±10 | 25±10 | 40±15 | 10±5 | 20±10 | 20±10 | 19.0 | 7.7 | 11.3 | 7.1 | 1.9 |

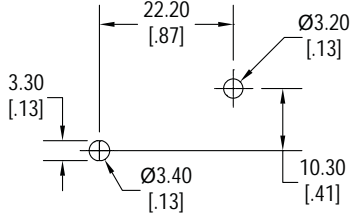
Dimensions - Latching



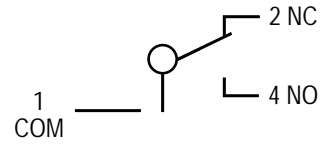
VM3

Snap Action

Panel Mounting

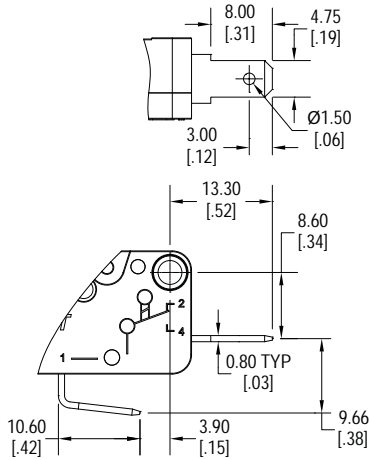


Schematic

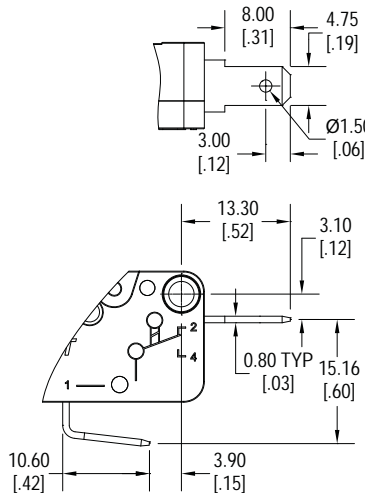


Terminal Options

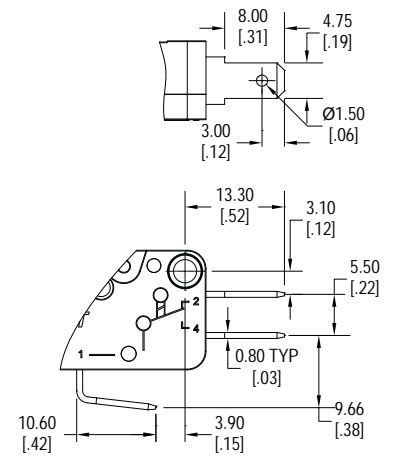
.187" Quick Connect Terminals



SPST N.O.

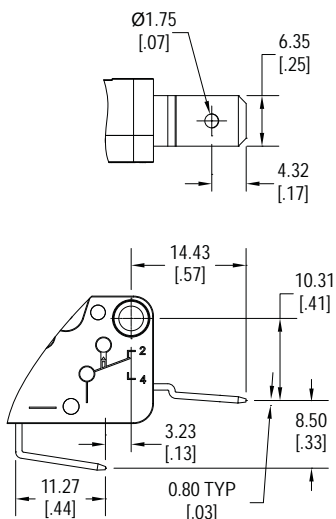


SPST N.C.

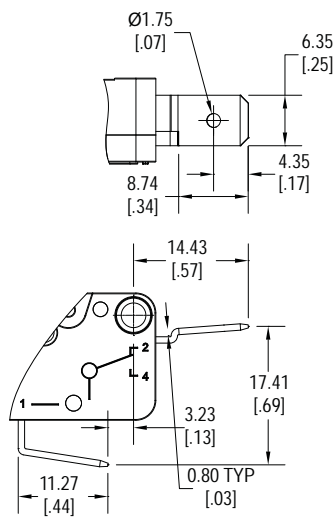


SPDT

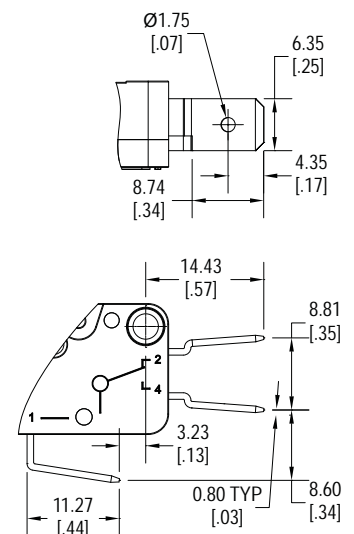
.250" Quick Connect Terminals



SPST N.O.

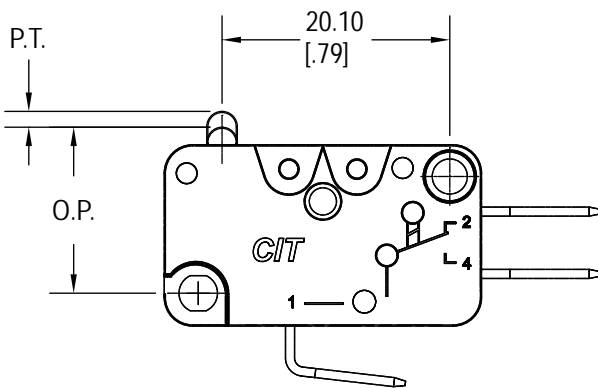
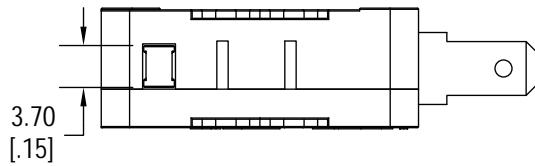


SPST N.C.

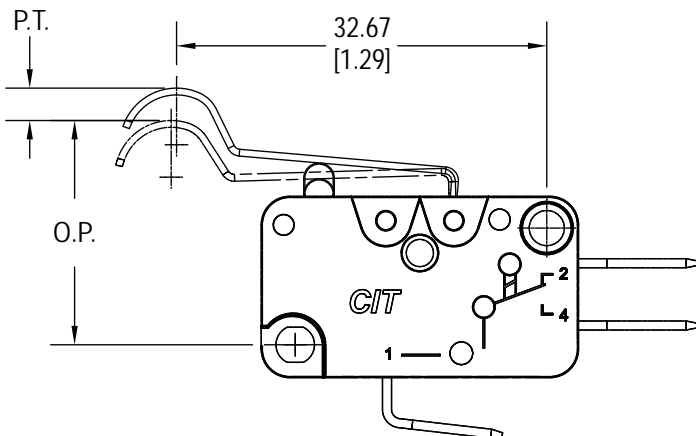
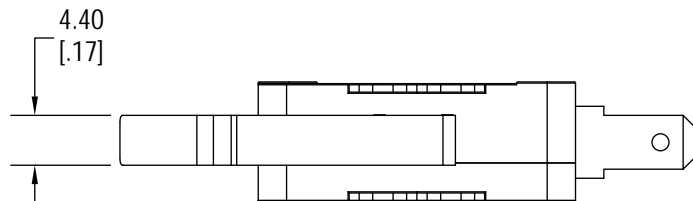


SPDT

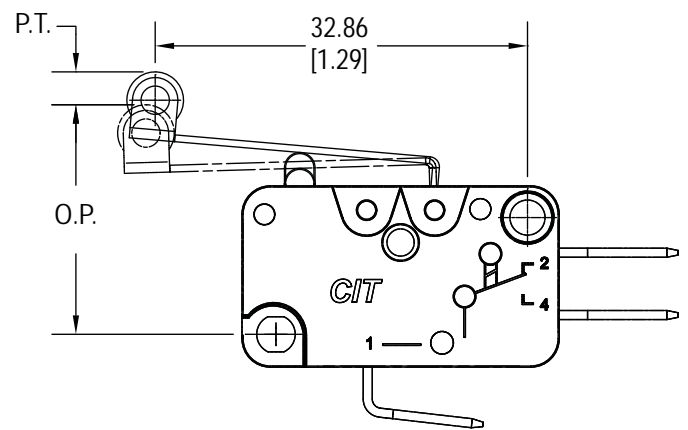
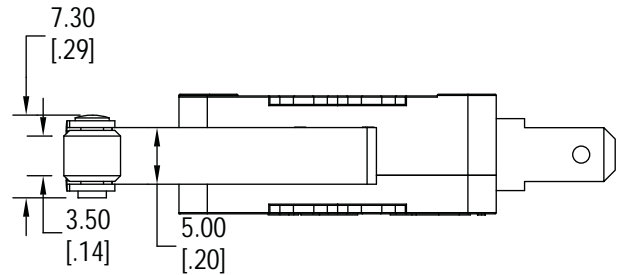
Levers



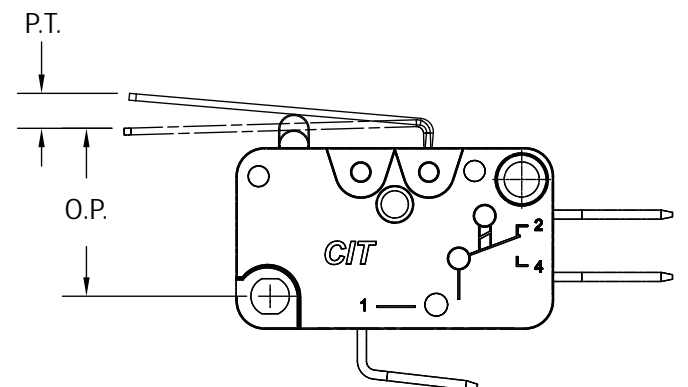
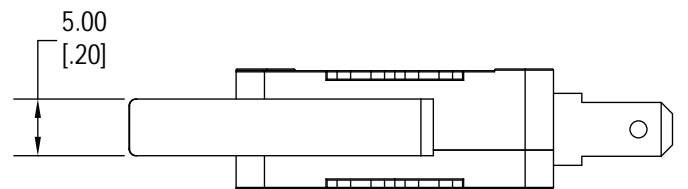
L00



L02



L01

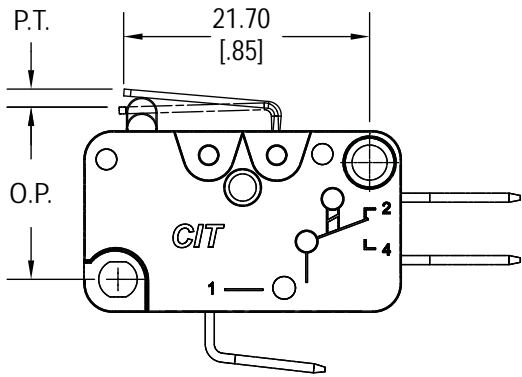
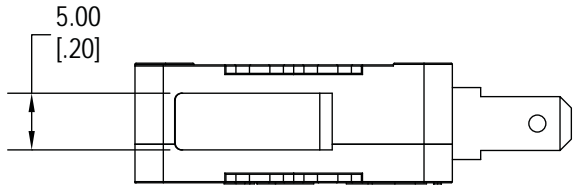


L03

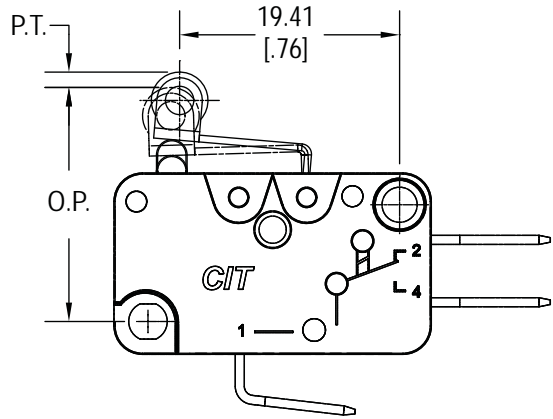
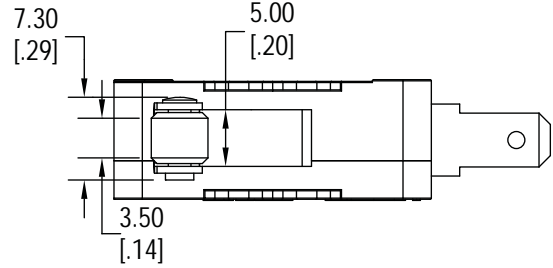
VM3

Snap Action

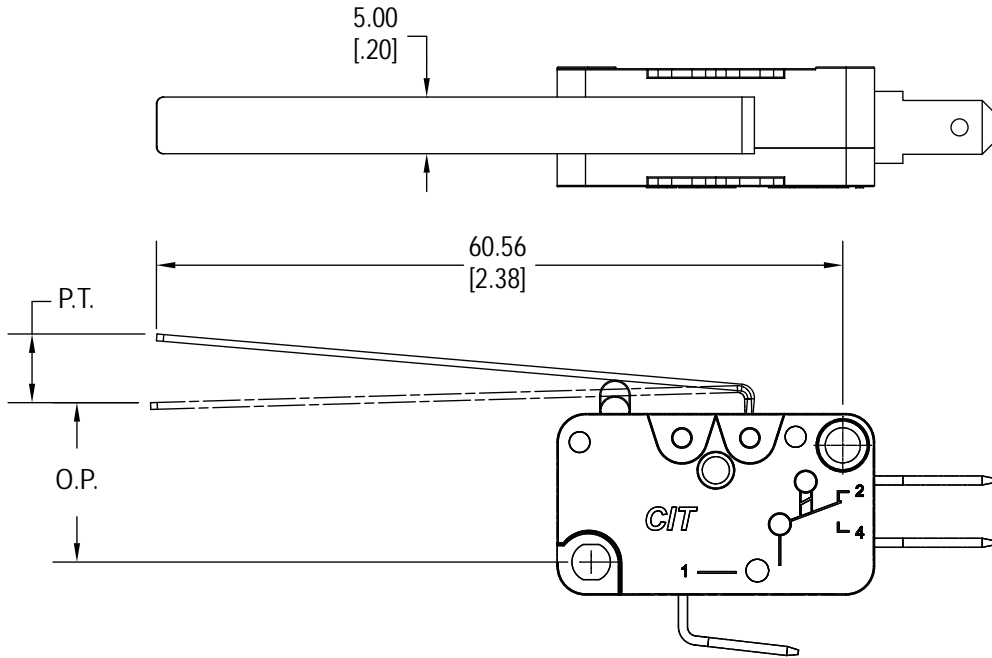
Levers



L04



L06



L07